

## technical details

Designation	ActiCut 300	ActiCut 450	ActiCut 620
Working width	3,00 m	4,50 m	6,20 m
Transport width	3,00 m	2,95 m	2,95 m
Elements	10	16	22
Disc spacing	285 mm	280 mm	280 mm
Bar distance	600 mm	600 mm	600 mm
Frame height	763 mm	763 mm	763 mm
Weight	1.210 kg	2.490 kg	3.130 kg
Power demand of	90 HP	120 HP	150 HP

## general details

- 3 row bar
- Working range 1–12 cm
- Speed of discs 60–80 rpm
- Disc diameter 350 mm and approx. 1/3 overcut
- Depth control fully hydraulic via integrated support wheel
- Stone safety device as standard release force 270 kg
- Short design resulting in very good ground contour
- Optionally with hydraulic weight transfer

## agronomic benefit

- Due to the active cut the weeds are cut exactly at the root neck.
- The solution against blackgrass or ryegrass.
- Ultra-flat working possible with a lot of emergence and high straw quantities.
- Safe floor retraction.
- Low demand to the counter-cut of the soil. Perfect working result even after previous deeper machining.

## farming is you.

We are **4DISC** – a community of farmers, fruit growers and machine builders who solve typical problems in agriculture and fruit growing.

**We are happy to help!** Further information can be found at [www.4disc.de](http://www.4disc.de).

## 4DISC

4 Disc GmbH  
Bönninghauser Str. 5  
44329 Dortmund

☎ +49 231 986 923 22  
✉ [4disc@4disc.de](mailto:4disc@4disc.de)  
[www.4disc.de](http://www.4disc.de) ●●●

10/2023

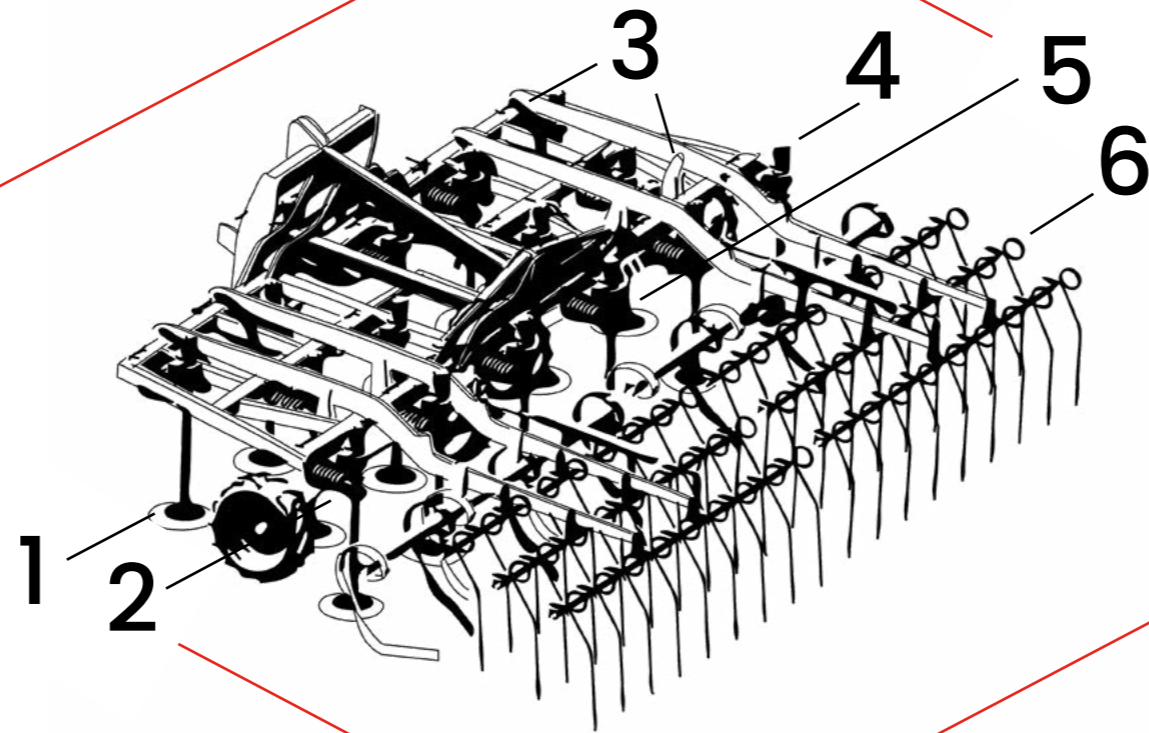
# 4DISC

ACTICUT ●●●

The innovative  
soil cultivation



Ultra-flat and all-over: our **Min-Till-innovation.**



### system in detail

- 1** The discs are actively driven and cut the entire surface at the set depth.
- 2** Innovative 3D stone safety device by means of half-shell.
- 3** The automatic „Level Check“ system optimizes the position of the leveling unit and the following harrow.
- 4** The rotation speed of the discs can be conveniently adjusted incl. automatic reversing function.
- 5** Due to the center of gravity suspension, the individual folding segments adjust to the ground independently.
- 6** The 3 row exact harrow „Turn Over“ is hydraulically adjustable.

**4DISC**  
ACTICUT