

technical details

| Designation | Reptor 440 | Reptor 560 | Reptor 700 |
|-----------------|------------|------------|------------|
| Number of bars | 6 | 6 | 6 |
| Number of tines | 35 | 45 | 56 |
| Tine spacing | 12,5 cm | 12,5 cm | 12,5 cm |
| Working width | 438 cm | 563 cm | 700 cm |
| Weight | 2.400 kg | 2.800 kg | 3.300 kg |
| Power demand of | 130 HP | 160 HP | 200 HP |

general details

- Stable frame with 6 bars structure
- Working range 3 - 15 cm
- Double spring tines 70 x 12 mm with chisel- or goosefoot
- 6 large support wheels
- Fully hydraulic depth control via integrated feeler wheels
- CONTUR CONTROL ground adaptation
- TURN OVER follow-up harrow
- LEVEL CHECK automatic leveling system
- The last tine bar are in position after the support wheels
- Optional: with dynamic traction control DTC

agronomic benefit

- Ideal for stubble cultivation and seedbed preparation.
- Safe floor entry through high machine weight.
- Big passage through 6-bars structure.
- Large TURN OVER harrow combs out the weeds so they can dry out.
- With unique CONTUR CONTROL for ground adaption at undulation terrain.

farming is you.

We are **4DISC** – a community of farmers, fruit growers and machine builders who solve typical problems in agriculture and fruit growing.

We are happy to help! Further information can be found at www.4disc.de.

4DISC

4 Disc GmbH
Bönninghauser Str. 5
44329 Dortmund

☎ +49 231 986 923 22
✉ 4disc@4disc.de
www.4disc.de ●●●

12/2024

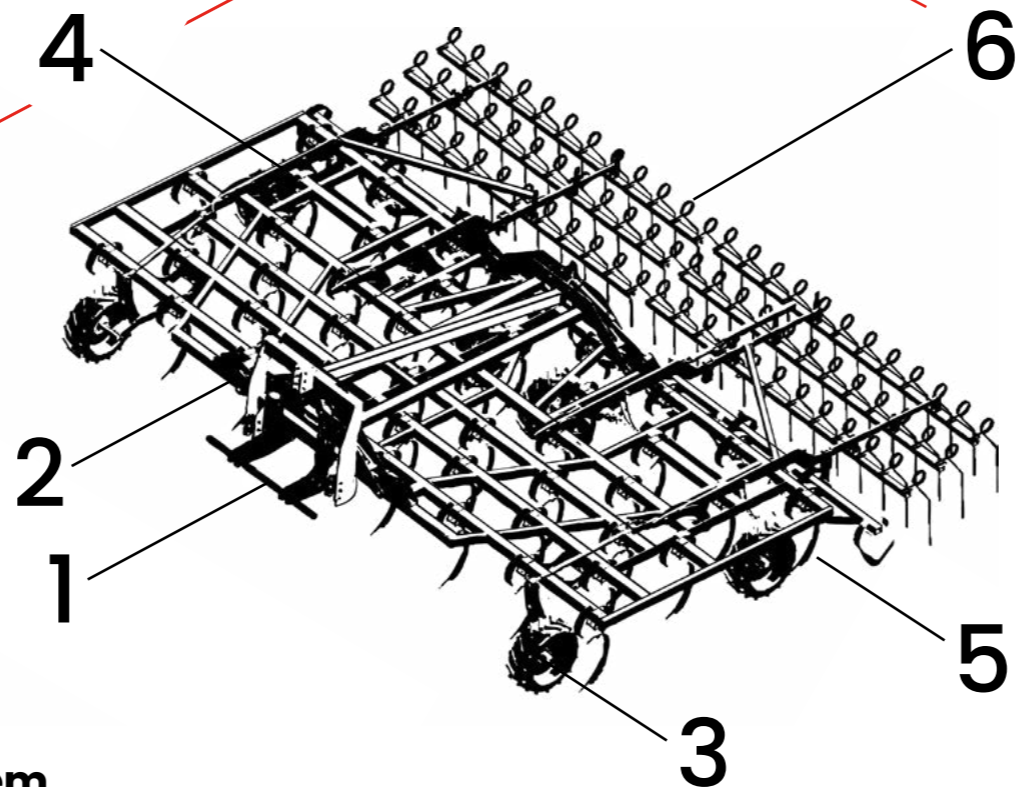
4DISC

REPTOR ●●●



The innovative tine cultivator

Rip open and airing with **precision.**



system in detail

- 1** Dynamic traction control DTC transfers weight from the tractor to the device.
- 2** The center of gravity suspension CONTUR CONTROL allows the individual folding segments to adapt independently to the ground.
- 3** The working depth adjustment is fully hydraulic using the 6 support wheels.
- 4** The automatic LEVEL CHECK system optimizes the position of the leveling unit and following harrow.
- 5** Double spring tines and a heavy frame guarantees the optimal penetration into the ground.
- 6** The triple exact harrow TURN OVER is hydraulically adjustable.



4DISC
REPTOR 